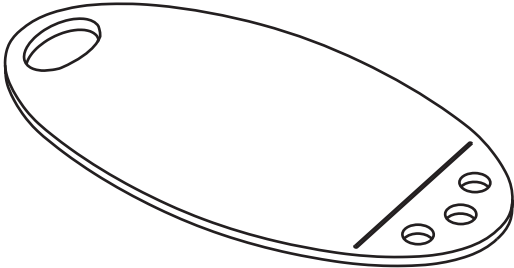
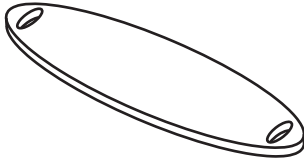


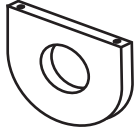

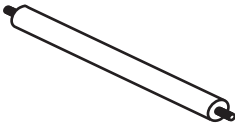


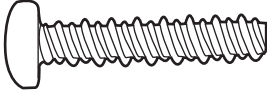


Preparing the chalkboard surface:
 You will need a piece of chalk and paper towel.
 First, holding the piece of chalk horizontally, rub the chalk over the entire chalkboard surface. Next, take the paper towel and, using a circular motion, rub the towel over the chalkboard surface. Finally, erase the chalk off the entire surface. You have just seasoned your chalkboard and it is ready for use.

TOOLS: Phillips head screwdriver required.

<p>1 Table top</p> 	<p>2 Bench tops</p> 	<p>12 Bench legs</p> 	<p>4 Table legs</p> 
<p>2 Paper roll holders</p> 	<p>2 Plastic stars</p> 	<p>1 Dowel</p> 	
<p>12 Bench washers</p> 	<p>4 Table washers</p> 	<p>4 Flat tipped screws</p> 	

! WARNING: SMALL PARTS
 CHOKING HAZARD - Not for children under 3yrs.

Adult assembly required

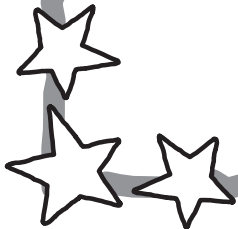
Caution: Keep screws, small parts and plastic bags out of children's reach during and after assembly



#711W

©2008 ALEX: Northvale, NJ 07647

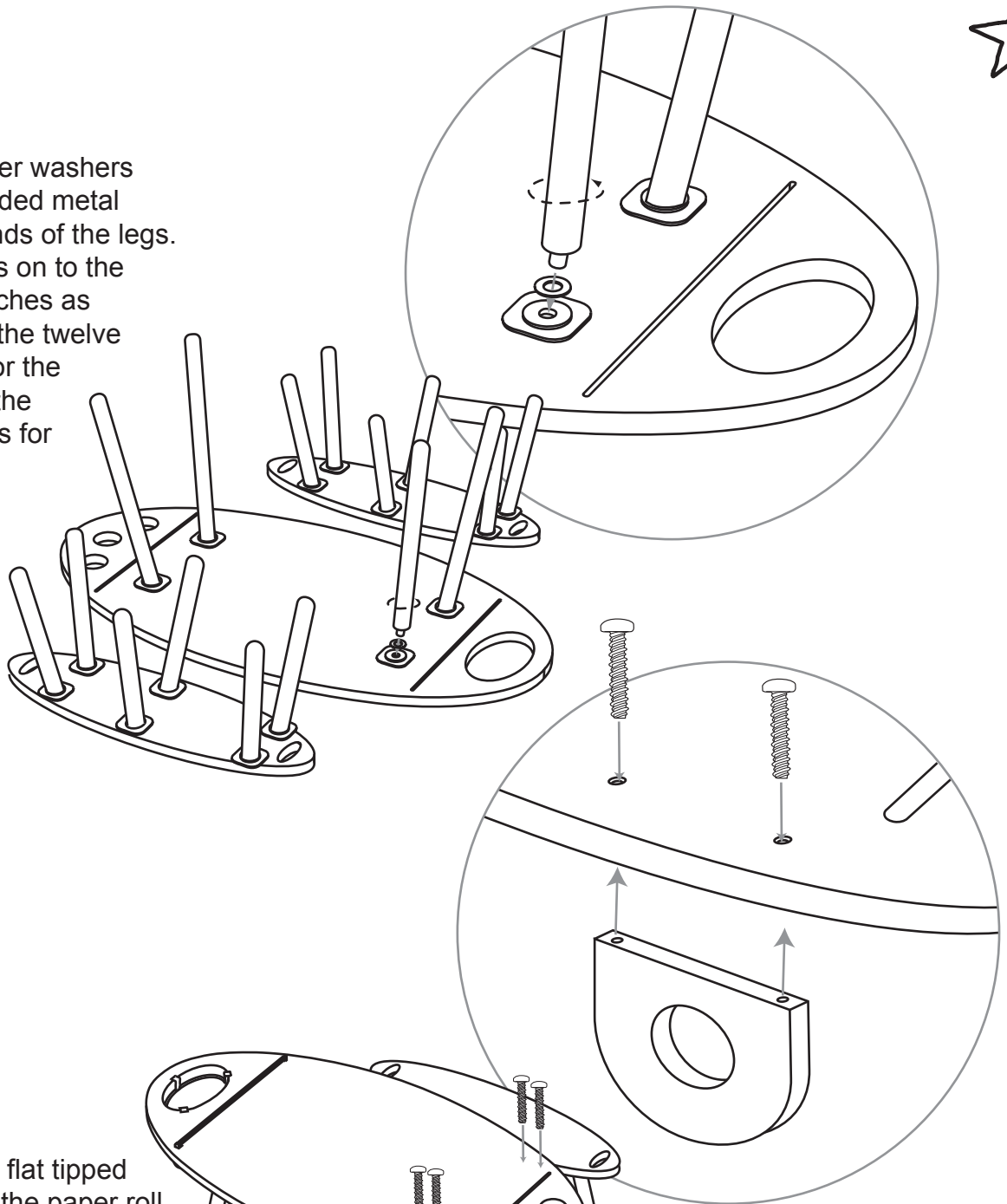
Visit our website at www.alextoys.com





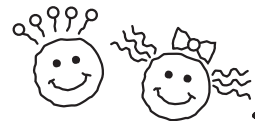
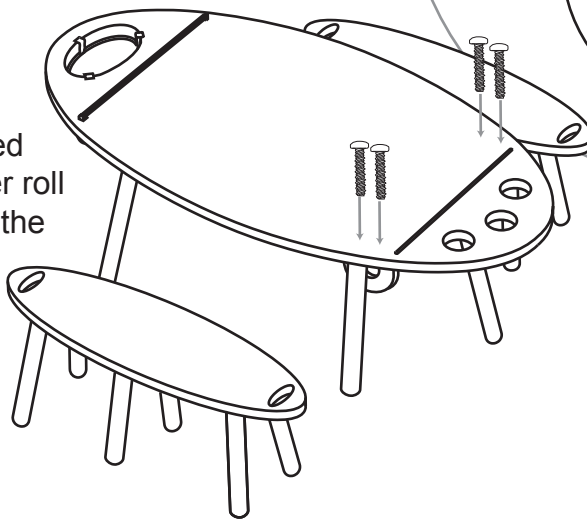
①

Slide the rubber washers over the threaded metal rods on the ends of the legs. Screw the legs on to the table and benches as shown, using the twelve smaller legs for the benches and the four larger legs for the table.



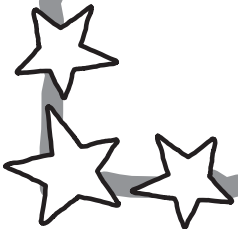
②

Using the four flat tipped screws screw the paper roll holders in place under the table. **DO NOT OVER TIGHTEN!**



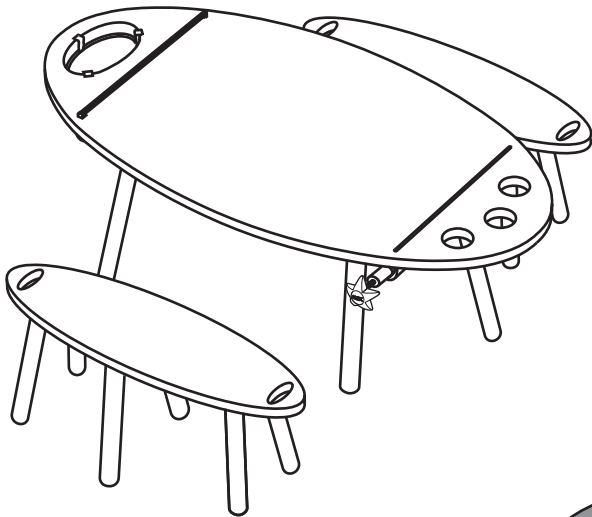
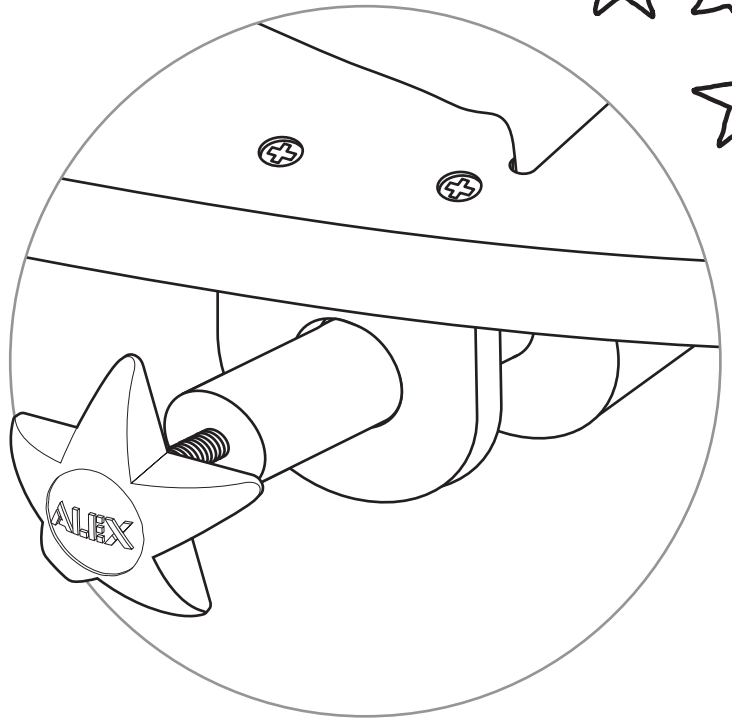
#711W

©2008 ALEX: Northvale, NJ 07647

Visit our website at www.alextoys.com

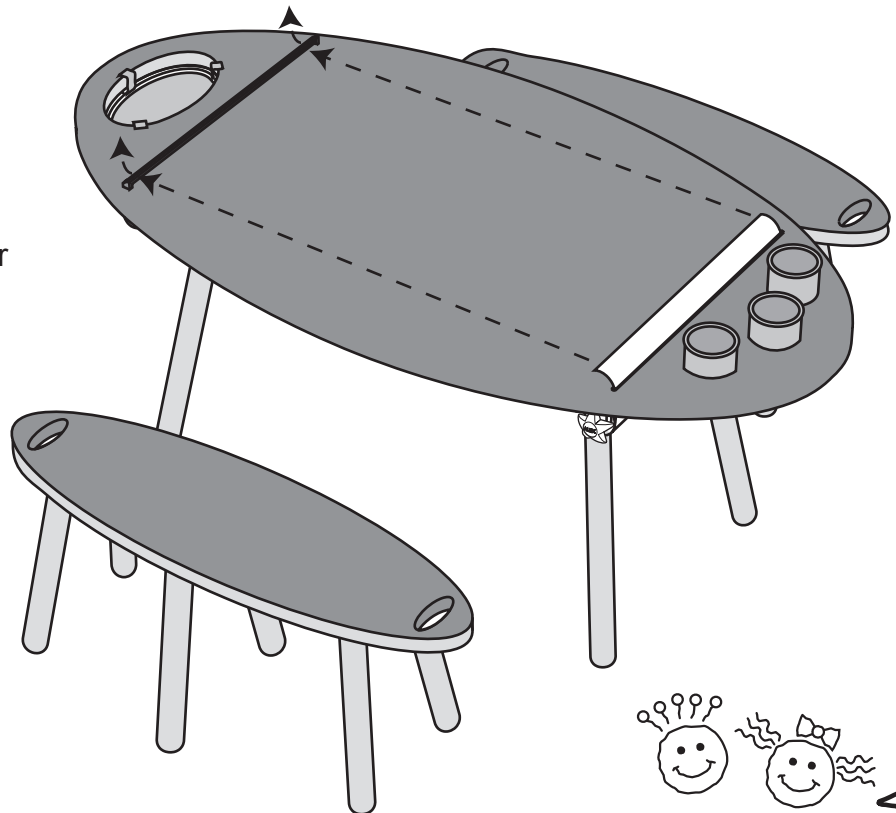
3

Slide the dowel through the paper roll holder and a 12 -18" paper roll. Secure it in place with a threaded ball on either end.



4

Pull the loose end of the paper roll up through the slot in the desk and thread it under the paper cutter bar.



#711W

©2008 ALEX: Northvale, NJ 07647

Visit our website at www.alextoys.com

