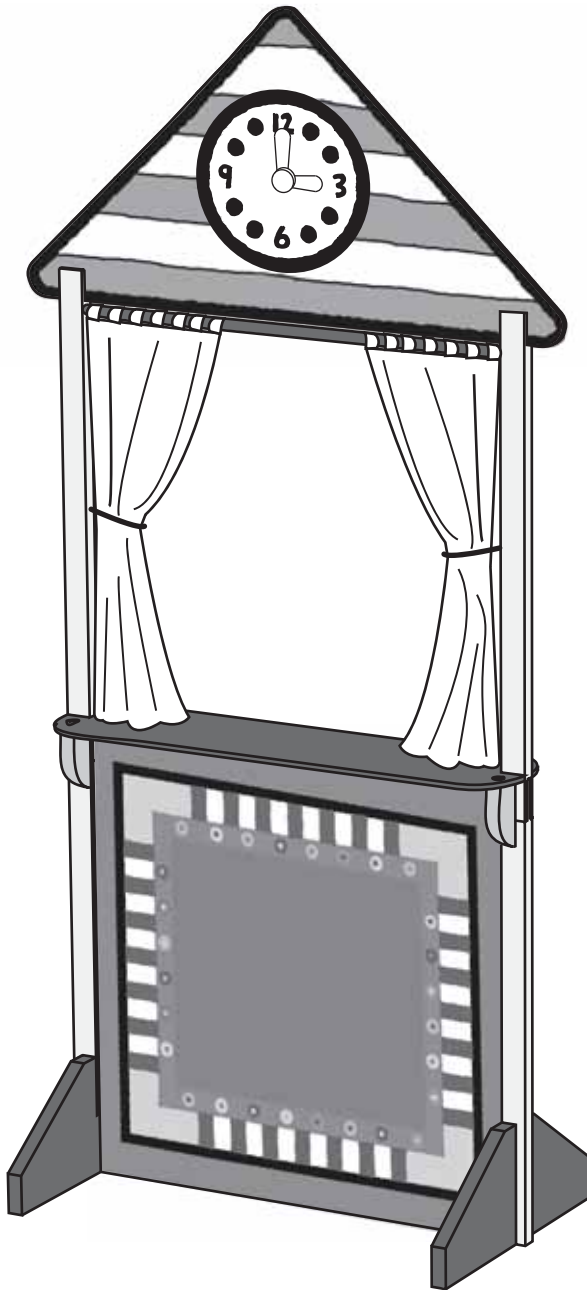


PUPPET THEATRE



Preparing the chalkboard surface:

You will need a piece of chalk and paper towel. First, holding the piece of chalk horizontally, rub the chalk over the entire chalkboard surface. Next, take the paper towel and, using a circular motion, rub the towel over the chalkboard surface. Finally, erase the chalk off the entire surface. You have just seasoned your chalkboard and it is ready for use.

Adult assembly required

Caution: Keep screws, small parts and plastic bags out of children's reach during and after assembly

23k

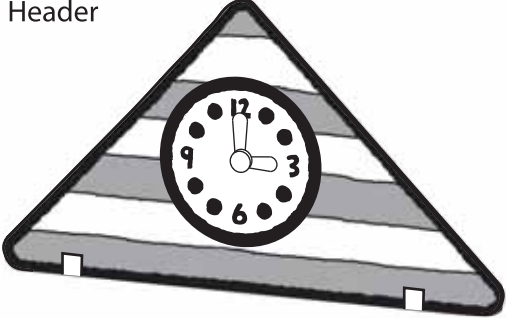



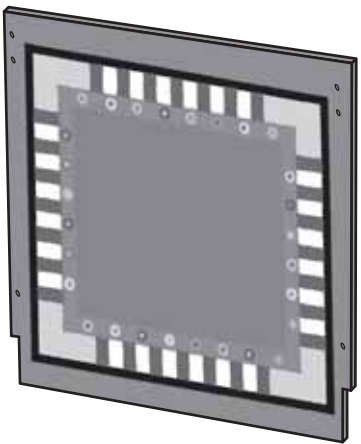
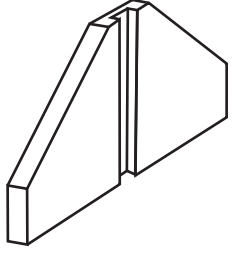
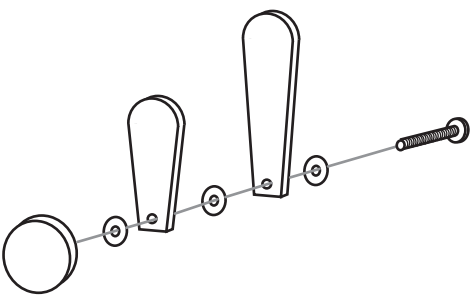

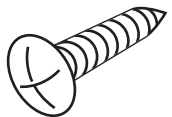
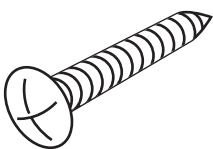
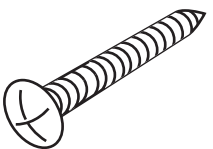

©2003 ALEX: Northvale, NJ 07647



WARNING: Small Parts
CHOKING HAZARD - Not for children under 3yrs.

Visit our website at www.alextoys.com

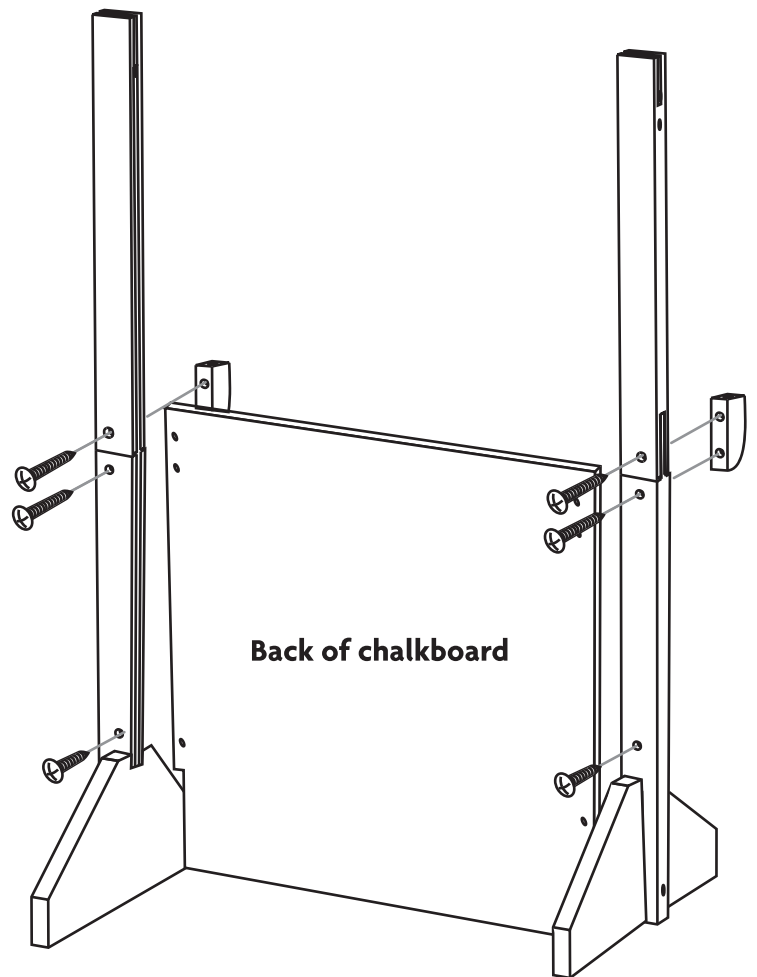
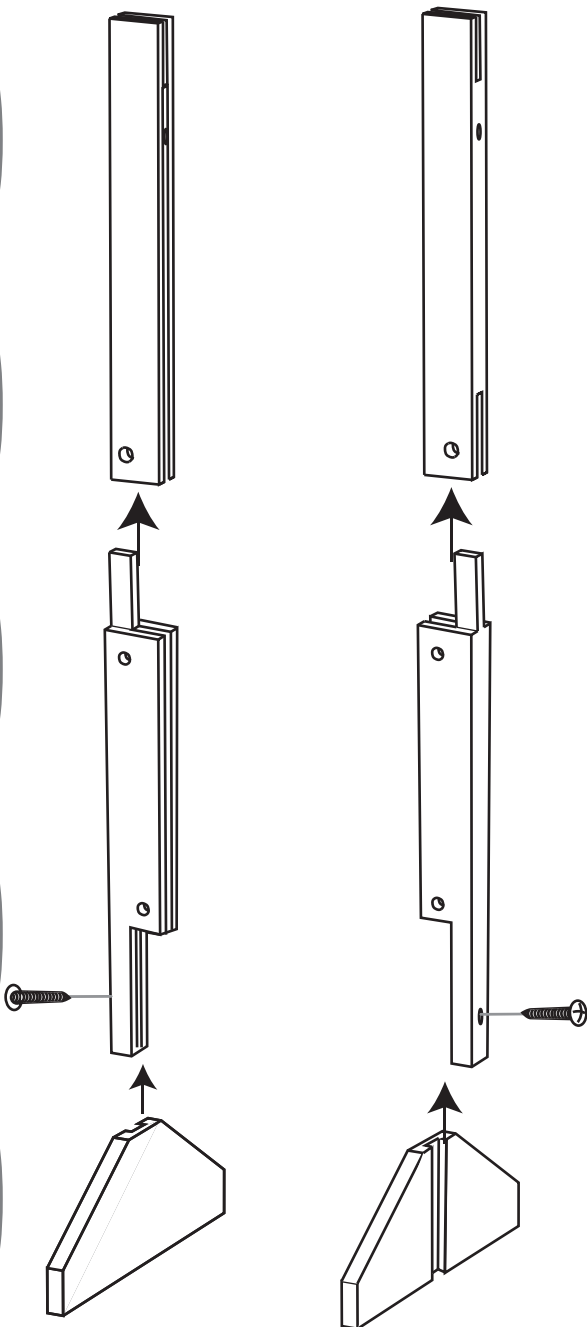
You will need: a Phillips head screwdriver. (not included)

<p>1 Header</p> 	<p>2 upper legs</p> 	<p>2 Lower legs</p> 	<p>2 Ledge supports</p> 
<p>1 Chalkboard</p> 		<p>2 Feet</p> 	
<p>Clock hardware</p> 	<p>1 Dowel</p> 		
<p>2 Short screws</p> 	<p>8 Medium screws</p> 	<p>2 Long screws</p> 	
<p>1 Ledge</p> 			

- 1.** Slide the feet onto the legs as shown. Screw them in place with two medium screws.

Slide the tabs on the lower legs into the slots in the upper legs as shown. Make sure that the grooved side of the leg is lined up.

- 2.** Push the chalkboard into the grooves in the legs. Make sure that the two cutouts are facing down. Insert four medium screws through the back of the legs and chalkboard and into the shelf supports in the front. Use two short screws to screw the lower part of the chalkboard to the legs.



23k

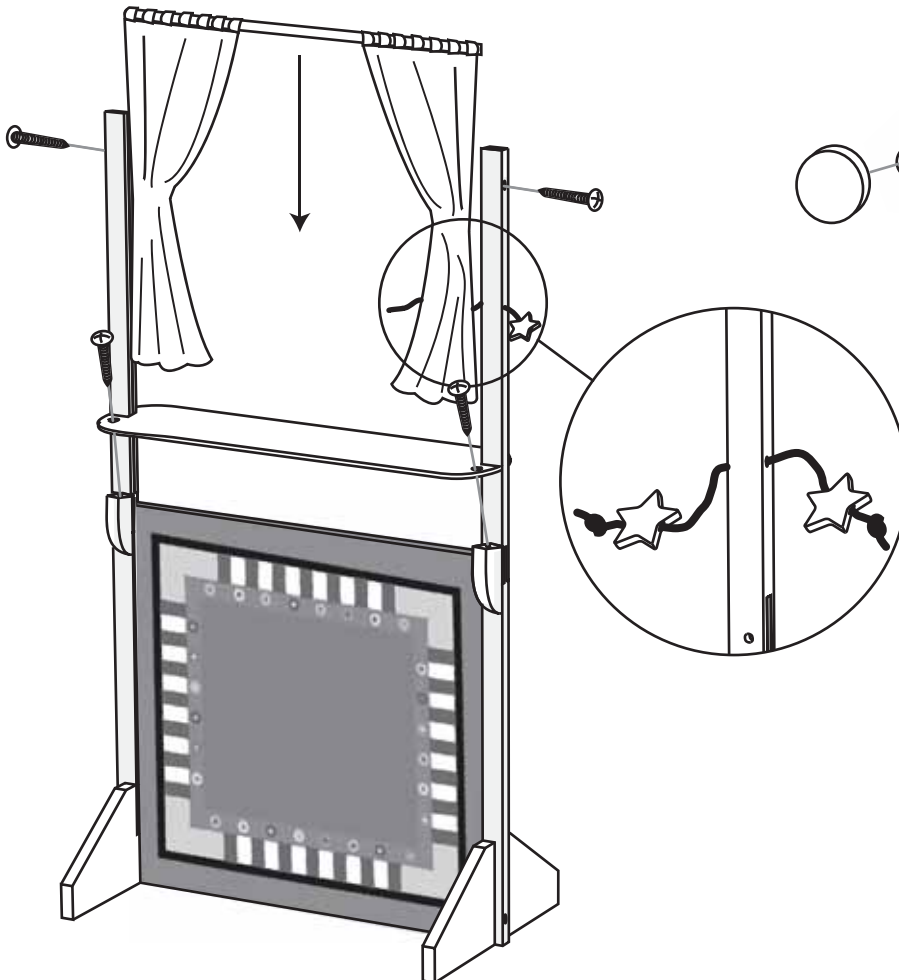
©2003 ALEX: Northvale, NJ 07647

Visit our website at www.alextoys.com

- 3.** Screw shelf into place using two medium screws.

Thread curtains onto the dowel and screw the dowel in place using two the long screws

Thread the cords through the holes in the sides of the legs. Thread two wooden stars on each as shown, and knot in place.



- 4.** Slide the header into the grooves as shown.

The clock is assembled by threading the screw through the clock hands, header and washers. It is held in place by the wooden cylinder.

